



ORION G23

ORION G23
ORION G23 FM
CONSOLA G23



ORION G23



COLOR



ORION G23

The Orion G23 has arrived, our perfect countertop coffee machine for enjoying a great cup of coffee at home or in the office. Its sleek black design, complemented by a soft blue LED perimeter light, adds a futuristic touch and highlights its lines. The front touch panel, illuminated by LED, makes coffee selection easy with its intuitive capacitive keypad. With the Orion G23, the experience of enjoying a freshly brewed coffee becomes even more satisfying.



PRESSURE VALVE IN THE DISTRIBUTION UNIT



MONITORED WATER DISTRIBUTOR, NO SOLENOID VALVES



J-SUITE



CUSTOMIZED SETUP TO SUIT YOUR REQUIREMENTS



CAPACITIVE KEYBOARD



ALUMINIUM BOILER

Main features

MACHINE NAME	Unpacked MEASUREMENT	WEIGHT	CONSUMPTION	SERVICES	CANISTER	MIXER	PAYMENT METHOD
ORION G23	767 x 417 x 463 mm	44kg	230V/1150W	150	3 in cabinet + coffee beans	2	No
ORION G23 FRESH MILK	767 x 417 x 463 mm	47kg	230V/2800 W	150	3 in cabinet + coffee beans	2	No
+ DESKTOP CONSOLE	140 x 417 x 448 mm	10kg	-	170 glasses	-	-	-
+ CONSOLE G23	925x442x521 mm	++	-	+80	-	-	+ bill reader

ORION G23 + DESKTOP CONSOLE + CONSOLE G23



FEATURES



- Pressure valve in the dispensing group to maintain constant pressure throughout the entire dispensing cycle.
- Motorized water distributor without solenoid valves.
- Aluminum boiler with an encapsulated heating element and sensors, with no contact with water (avoiding O-rings and lime buildup) and with an insulating thermal jacket that improves the machine's energy efficiency.
- Automatic cleaning of the mixing circuit and product outlet: manual or automatic (programmable).
- Customization of coffee product recipes on-site via the machine's keypad, Easy-Flash handheld terminal, or from the "Jofemar Coffeemar Configuration" PC app, connecting the machine directly via RS232.
- Product selection through capacitive keypad illuminated by LEDs.
- Constant temperature control in the water boiler.
- In-house coffee grinder group.
- Easy cleaning and maintenance of removable parts.
- Easily removable waste tray for spotless cleaning.

DESING

Our Orion G23 stands out for its innovative design and sleek black structure, giving it a sophisticated and professional look. Along the entire perimeter of the machine, a blue LED light glows, creating a striking contrast with the black frame. This blue light not only adds a futuristic aesthetic touch but also highlights the machine's lines and contours, making it stand out in any setting.

- Blue LED lighting around the screen to create a warmer atmosphere.
- Capacitive and illuminated keypad.
- Tinted glass front for a touch of innovation and elegance.
- Easy cleaning and maintenance thanks to its design and removable components.





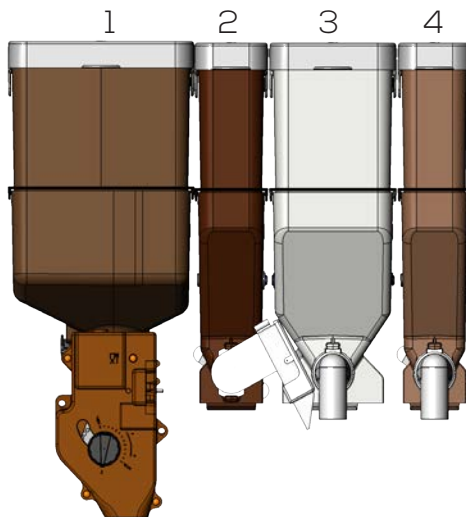
OPTIONS

- Option for a console cabinet with a bill acceptor and capacity for 230 servings.
 - Option for a countertop console with a capacity for 170 cups (85 per channel) and a central guided drawer. The outer diameter must be between 70 and 74mm.
 - Autonomous water kit (25L).
 - Telemetry via J-LINK and online management software J-SUITE.
 - External water filters for the console: descaler or flavor filter.
 - Option for data extraction using the DEX protocol.
 - Autonomous 5L tank.
 - A bill acceptor can be added if the console cabinet is incorporated.
- Option for a bank card reader installed on the door, behind the glass.

PROGRAMMING

- General programming on-site via the machine's keypad, Easy-Flash handheld terminal, through telemetry with the J-LINK terminal, and Jofemar's J-SUITE online management software.
- Ability to adjust the water flow rate through the freshly ground coffee, allowing the operator to fine-tune the brewing process for faster or slower extraction, thus maximizing flavor.
- Customization of coffee product recipes on-site via the machine's keypad,
- Easy-Flash handheld terminal, or from the "Jofemar Coffeemar Configuration" PC app, connecting the machine directly via RS232.
- Storage and retrieval of accounting data.

CONTAINER



	CONTAINER	CAPACITY (gr)	SERVICES
1	COFFEE BEANS	1688	240
2	CHOCOLATE	980	57
3	MILK	1330	160
4	DECAFFEINATION	380	237

*This information is general because it depends on the programming and the product extracted.

TELEMETRY



Our Jofemar electronic system J-LINK offers a wide range of functionalities to all our machines. One of them is the ability to use J-SUITE, our comprehensive and unified solution for machine management that allows you full control of the machine from anywhere in the world.



ADVANTAGES

- Compatibility across all Jofemar machines; you can use J-SUITE on all our products.
- Total stock control.
- Remote machine control from your computer, tablet, or mobile device.
- Compatible with other payment systems.
- Option to have a closed circuit card reader.
- Compatible with non-Jofemar machines through standard protocols.
- Control of product weight, cups and pallets.
- Control of product weight, cups and pallets.
- Control of product compositions.



COST CUTTING



REAL-TIME STOCK CONTROL



CUSTOMER SATISFACTION



AGILITY IN ACCOUNTING



OPERATIONS ENHANCEMENT



ADMINISTRATIVE OPTIMIZATION



ENHANCED INFORMATION SECURITY



Innovation
technology

Reliability

100% Jofemar
Technology



Jofemar
CORPORACIÓN

Ctra. Marcilla km 2
31350 Peralta · Navarra · España

Tel. +34 948 75 12 12

Fax +34 948 75 04 20

nacional@jofemar.com

www.jofemar.com



VE-CT218EN001 0824